

890Hv

WHEEL LOADER

ENGINE
Cummins
X12

OPERATING WEIGHT
69,666 lb
(31,600 kg)

GROSS POWER
370 hp (276 kW)
@ 1800 rpm

BUCKET CAPACITY
7.1 yd³
(5.4 m³)



SPECIFICATIONS

ENGINE

Emissions rating	Stage V
Make	Cummins
Model	X12
Gross power	370 hp (276 kW) @ 1,800 rpm
Net power	351 hp (262 kW) @ 1,800 rpm
Peak torque	1249 lbf-ft (1693 N·m) @ 1,400 rpm
Cylinders	6
Displacement	11.8L (720 in ³)
Aspiration	Turbocharged & Charge air cooler

TRANSMISSION

Transmission type	Countershaft, powershift
Torque converter	Single stage, three elements
Max. travel speed, fwd	23.6 mph (38 km/h)
Max. travel speed, rev	16.5 mph (26.5 km/h)
Number of speeds, fwd	4
Number of speeds, rev	3

AXLES

Differential front type	HDL
Differential rear type	Conventional
Axle oscillation	±11°

STEERING

Steering configuration	Variable displacement
Steering pressure	3,002 psi (20.7 MPa)

BRAKES

Service brake type	Fully hydraulic brake
Service brake actuation	Single pedal+Fully hydraulic brake
Parking brake type	Disc
Parking brake actuation	SAHR

HYDRAULIC SYSTEM

Main pump type	Plunger pump
System pressure	3,771 psi (26 MPa)
Raise	6 s
Dump time	1.6 s
Float down time	3.4 s
Total cycle time	11 s

BUCKET PERFORMANCE

Bucket capacity	7.1 yd ³ (5.4m ³)
-----------------	--

TIRES

Tire size	29.5R25
-----------	---------

OPERATING WEIGHT

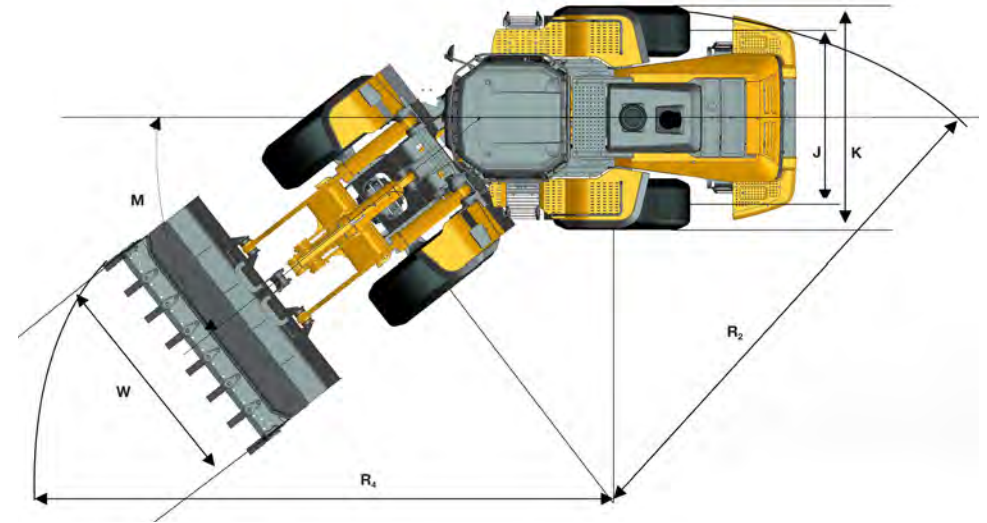
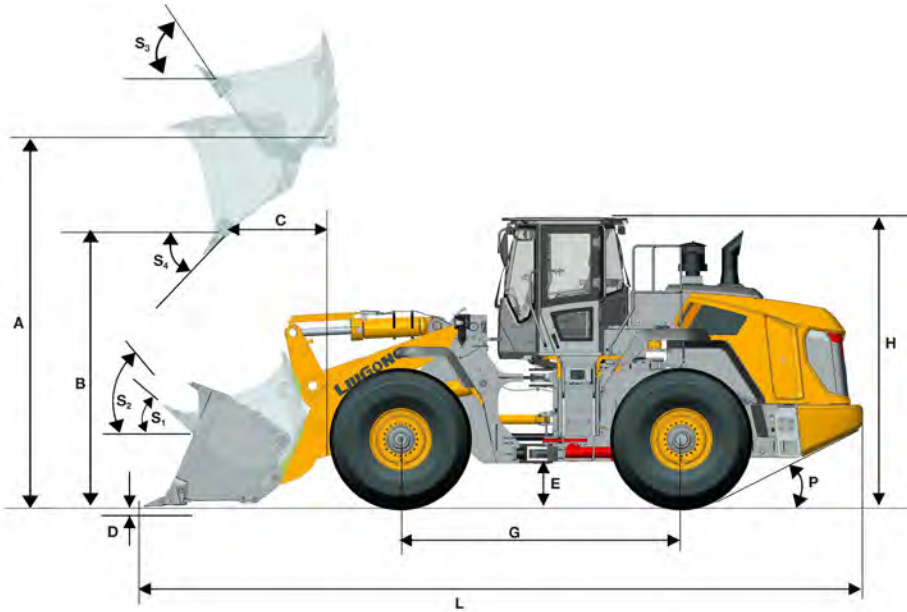
Operating weight	69,666 lb (31,600 kg)
------------------	-----------------------

SERVICE CAPACITY

Fuel tank	121.5 gal (460 L)
Engine oil	9.2 gal (35 L)
Cooling system	11.9 gal (45 L)
Hydraulic system	67.4 gal (255 L)
Transmission	13.2 gal (50 L)
Axles, each	Front axle: 17.2 gal (65 L) Rear axle: 17.2 gal (65 L)
DEF tank	13.2 gal (50 L)

SPECIFICATIONS

EXCLUSIVELY FOR DEALER



LOADER ARM PERFORMANCE WITH ATTACHMENT

Description

Tipping load - straight	53,083 lb (24,078 kg)
Tipping load - full turn	46,749 lb (21,205 kg)
Bucket breakout force	53,055 lbf (236 kN)
A Maximum hinge pin height	15 ft (4,575 mm)
B Dump clearance at full height discharge	10 ft 11 in (3,330 mm)
C Dump reach at full height discharge	4 ft 8 in (1,430 mm)
D Max. digging depth, bucket level	5 in (125 mm)
S ₁ Bucket rollback at ground level	45°
S ₂ Bucket rollback at carry	49°
S ₃ Bucket rollback at max. height	61°
S ₄ Max. dump angle at full height	45°

DIMENSIONS

Description

E Ground clearance	1 ft 5 in (442 mm)
G Wheelbase	12 ft 1 in (3,700 mm)
H Cab height	12 ft 5 in (3,785 mm)
J Wheel tread	7 ft 11 in (2,420 mm)
K Width over tires	10 ft 5 in (3,170 mm)
L Length with bucket down	31 ft 12 in (9,750 mm)
M Turn angle, either side	38°
P Rear angle of departure	25°
R ₁ Turning radius, outside of tire	25 ft 8 in (7,824 mm)
R ₂ Turning radius, bucket carry	22 ft 10 in (6,958 mm)
W Width over bucket	11 ft 7 in (3,532 mm)

EXCLUSIVELY FOR DEALER

LGNA-SS-890HV-202301-ENG-US

Specifications and designs are subject to change without notice.
Machines shown may include optional equipment.

LiuGong Construction Machinery N.A., LLC.
22220 Merchants Way - Suite 100
Katy, TX 77449
USA

T: 281-579-8882
www.liugongna.com

F: 281-579-8388