

# 877H

## WHEEL LOADER

### Engine

Cummins QSL9 Tier 4 Final

### Gross Power

331 hp (247 kW)

### Operating Weight

54,013 lb (24,500 kg)

### Bucket Size

5.5 yd<sup>3</sup> (4.2 m<sup>3</sup>)



TOUGH WORLD. TOUGH EQUIPMENT.

# 877H SPECIFICATIONS >>>

## ENGINE

Emissions regulation	Tier 4 Final / Stage IV
Make	Cummins
Model	QSL9
Max gross power	331 hp (247 kW) @ 2,000 rpm
Max net power	315 hp (235 kW) @ 2,000 rpm
Peak torque	1,160 lb-ft (1,573 N-m) @ 1,400 rpm
Displacement	543 in <sup>3</sup> (8.9 L)
Number of cylinders	6
Aspiration	Turbocharged & Air-to-air intercooled

## TRANSMISSION STANDARD

Transmission type	Countershaft, power shift
Torque converter	Single-stage, three-element
Maximum travel speed, fwd	24.8 mph (40 km/h)
Maximum travel speed, rev	17.6 mph (28.4 km/h)
Number of speeds, fwd	4
Number of speeds, rev	3

## AXLES

Differential front type	Limited slip
Differential rear type	Limited slip
Axle oscillation	± 12°

## STEERING

Steering configuration	Articulated
Steering pressure	3,002 psi (20.7 MPa)

## BRAKES

Service brake type	Wet discs brake
Service brake actuation	Hydraulic
Parking brake type	Electro-hydraulic
Parking brake actuation	Hydraulic

## HYDRAULIC SYSTEM

Main pump type	Piston
System pressure	3,771 psi (26 MPa)
Raise	5.8 s
Dump time	1.3 s
Float down time	3.2 s
Total cycle time	10.3 s

## LOADER ARM PERFORMANCE WITH ATTACHMENT

Tipping load - straight	42,968 lb (19,490 kg)
Tipping load - full turn	35,450 lb (16,080 kg)
Bucket breakout force	44,961 lbf (200 kN)
Maximum hinge pin height	14 ft 3 in (4,355 mm)
Dump clearance at full height discharge	10 ft 4 in (3,150 mm)
Dump reach at full height discharge	4 ft 3 in (1,312 mm)
Maximum digging depth, bucket level	4 in (100 mm)
Bucket rollback at ground level	45°
Bucket rollback at carry	49°
Bucket rollback at maximum height	60°
Maximum dump angle at full height	45°

## BUCKET PERFORMANCE

Bucket capacity	5.5 yd <sup>3</sup> (4.2 m <sup>3</sup> )
-----------------	---

## DIMENSIONS

Ground clearance	19 in (485 mm)
Wheelbase	11 ft 8 in (3,550 mm)
Cab height	11 ft 9 in (3,580 mm)
Wheel tread	7 ft 5 in (2,270 mm)
Width over tires	9 ft 9 in (2,970 mm)
Length with bucket down	29 ft 10 in (9,100 mm)
Turn angle, either side	38°
Rear angle of departure	26°
Turning radius, bucket carry	24 ft 3 in (7,400 mm)
Turning radius, outside of tire	21 ft 9 in (6,625 mm)
Width over bucket	10 ft 4 in (3,150 mm)

## TIRES

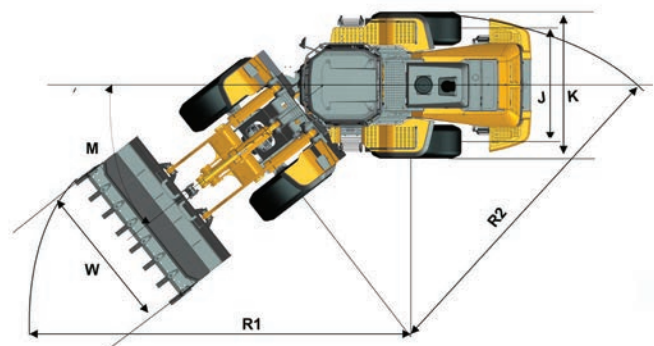
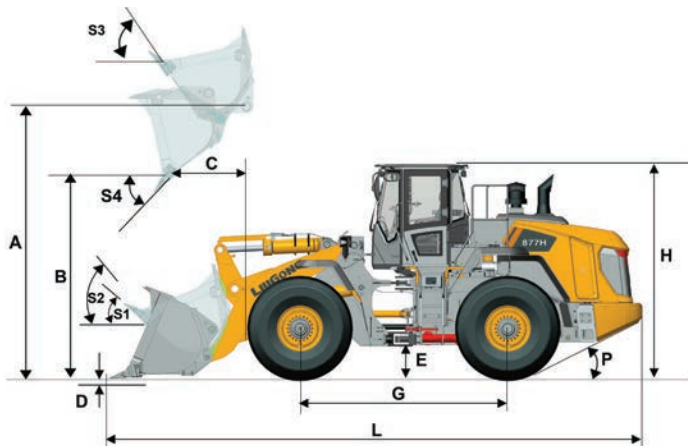
Tire size	26.5R25 L3 tire
-----------	-----------------

## OPERATING WEIGHTS

Operating weight	54,013 lb (24,500 kg)
------------------	-----------------------

## SERVICE CAPACITY

Fuel tank	98.2 gal (372 L)
Engine oil	8.7 gal (33 L)
Cooling system	9.5 gal (36 L)
Hydraulic system	58.1 gal (220 L)
Transmission	13.2 gal (50 L)
Axles, each	15.8 gal (60 L)
DEF tank	5.0 gal (19 L)



LiuGong Construction Machinery N.A., LLC

22220 Merchants Way, Suite 100, Katy, Texas 77449

T: (281) 579-8882 F: (281) 579-8388

www.liugongna.com

Specifications and designs are subject to change without notice. Machines shown may include optional equipment.

01/2020 Designed by LiuGong